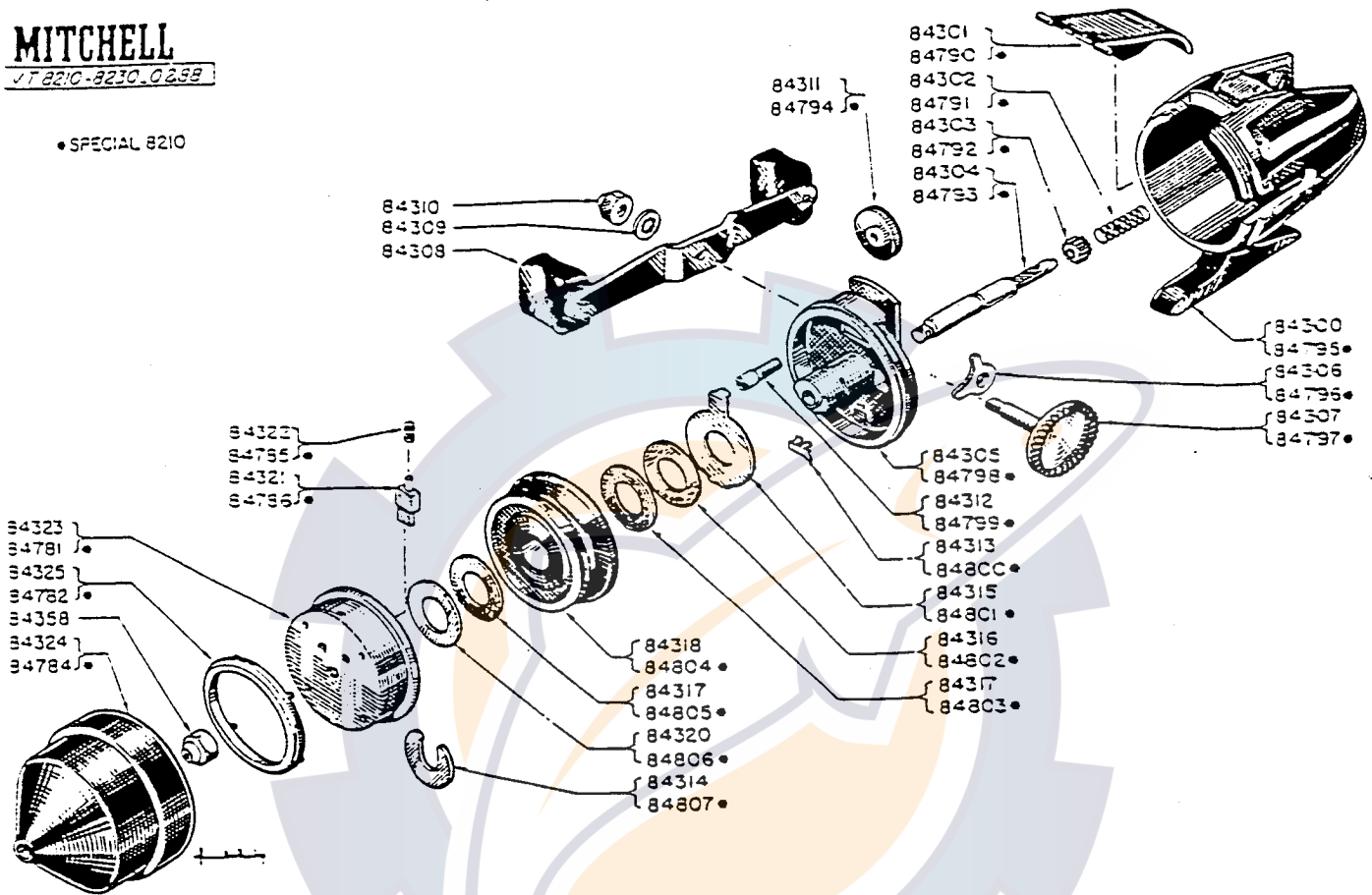


**MITCHELL**

VT 8210-8230-0299

• SPECIAL 8210



Part No.	Part Name
84300	HOUSING
84302	STEEL AXLE SPRING
84303	PINION
84304	STEEL AXLE
84305	HOUSING
84306	STEEL ANTI-REVERSE DOG
84308	HANDLE
84311	DRAG KNOB
84312	DRAG SCREW
84313	BRONZE ANTI-REV CLICK
84314	STEEL SPOOL RETAINER
84315	STEEL DRAG LEVER
84316	STEEL DRAG WASHER
84317	FIBRE DRAG WASHER
84318	SPOOL—STANDARD GRAPHITE
84320	STEEL DRAG WASHER
84321	STEEL PIN
84322	STEEL PIN SPRING
84324	HOOD
84325	RUBBER RING

Part No.	Part Name
84782	RUBBER RING
84785	STEEL PIN SPRING
84786	STEEL PIN
84791	STEEL AXLE SPRING
84792	PINION
84793	STEEL AXLE
84794	DRAG ADJUSTING KNOB
84795	HOUSING
84796	STEEL ANTI-REVERSE DOG
84798	HOUSING
84799	DRAG SCREW
84800	BRONZE ANTI-REVERSE CLICK
84801	STEEL DRAG LEVER
84802	STEEL DRAG WASHER
84803	FIBRE DRAG WASHER
84805	SPOOL—STANDARD GRAPHITE
84808	HANDLE SCREW RETAINER
84806	STEEL DRAG WASHER
84807	STEEL SPOOL RETAINER